

## Cim 80A

### BRASS SWING CHECK VALVE - RENEWABLE EPM DISC



This article was made in compliance with the quality management requirements of standard ISO 9001:2008. All articles are tested according to the standard EN 12266-1:2003.

It is used in a wide variety of sectors for non-return piping systems: heating, drinking water, air conditioning, sanitary systems and generally with any non corrosive liquid.

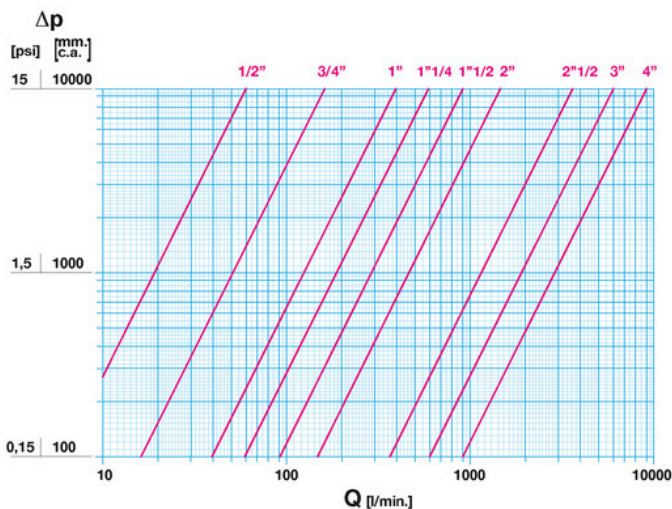
It is guaranteed for 5 years.

It is made of a brass alloy that complies with standard EN 1982-CC754S.

Nominal Pressure: PN16

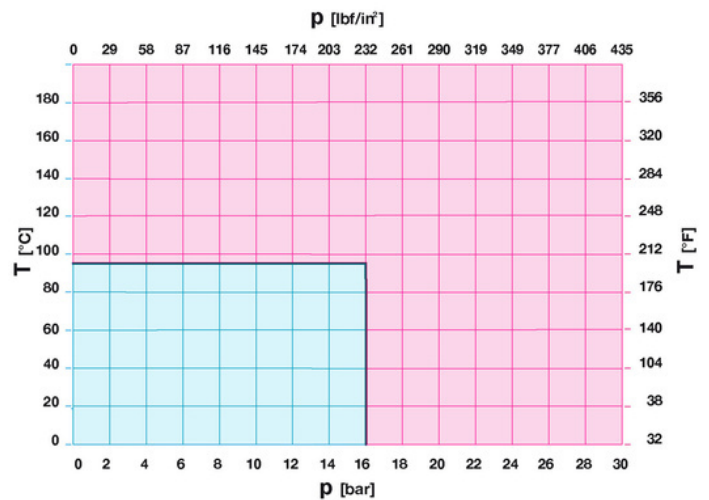
Operating temperature: -10 ÷ 95°C

### FLOW AND PRESSURE DROP



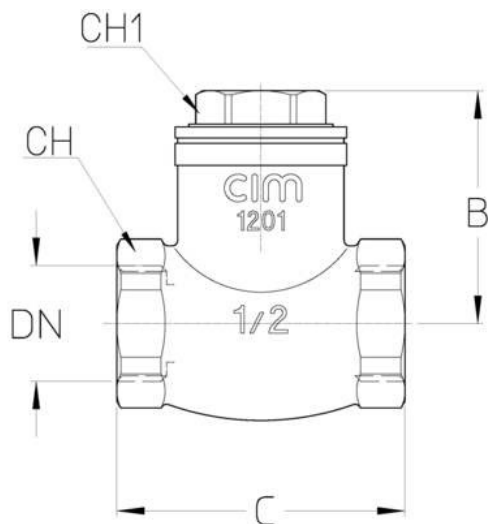
Notes:  
 1 l/min = 0,06 m3/h  
 1 m3/h = 16,67 l/min  
 1 bar = 10.000 mm w.c.  
 1 psi = 690 mm w.c.

### PRESSURE TEMPERATURE RATINGS



Notes:  
 1 bar = 14,5 psi  
 1 bar = 14,5 lbf/in2  
 $^{\circ}\text{C} = 5/9 \times (^{\circ}\text{F} - 32)$   
 $^{\circ}\text{F} = 32 + (9/5 \times ^{\circ}\text{C})$

## TECHNICAL DRAWING



DN	1/2"	3/4"	1"	1"1/4	1"1/2	2"	2"1/2	3"	4"
<b>Grms.</b>	<b>240</b>	<b>340</b>	<b>510</b>	<b>760</b>	<b>900</b>	<b>1500</b>	<b>2250</b>	<b>3300</b>	<b>5850</b>
B	43	46	53	61	63	70	86	94	113
C	52	62	70	84	87	106	119	137	170
D	13	15	13,5	18,5	15,5	20	23	20	24,5
CH	28	34	41	50	57	70	85	100	127
CH1	21	26	32	37	42	52	65	75	89

Thread:  
ISO 228

Upon request:  
ANSI B.1.20.1 - NPT

## TECHNICAL CHARACTERISTICS

KV									
DN	1/2"	3/4"	1"	1"1/4	1"1/2	2"	2"1/2	3"	4"
KV	3,6	9,5	23	35	56	86	222	360	540

KV = Flow rate in m<sup>3</sup>/h with a pressure drop of 1 bar

## OUR CERTIFICATIONS

